

## Face Recognition Terminal F3

## Application scenario

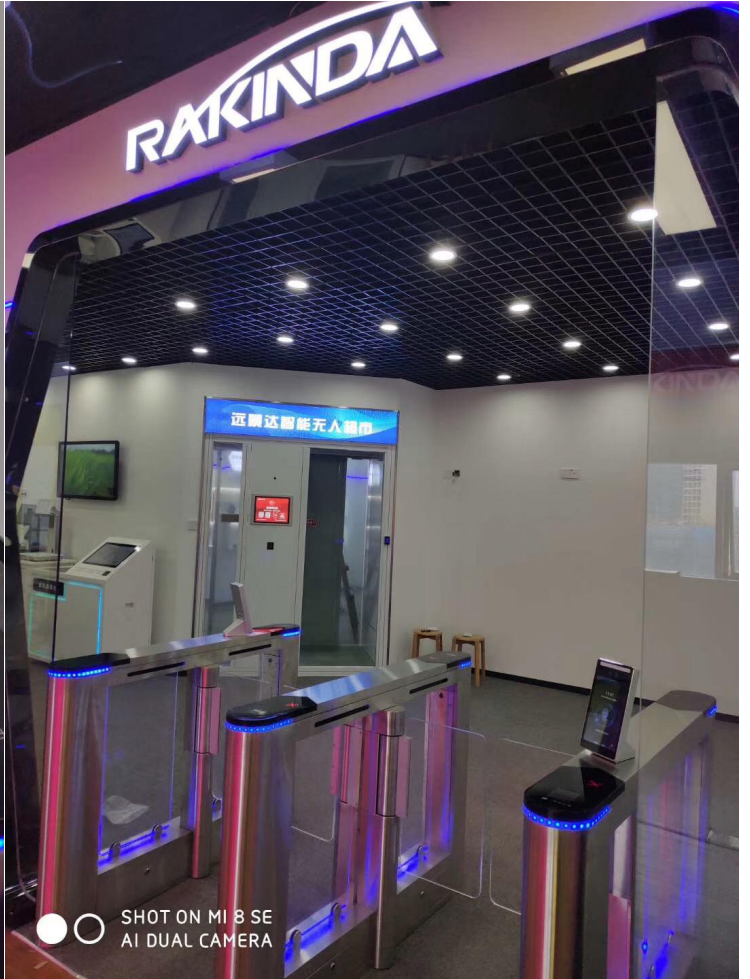
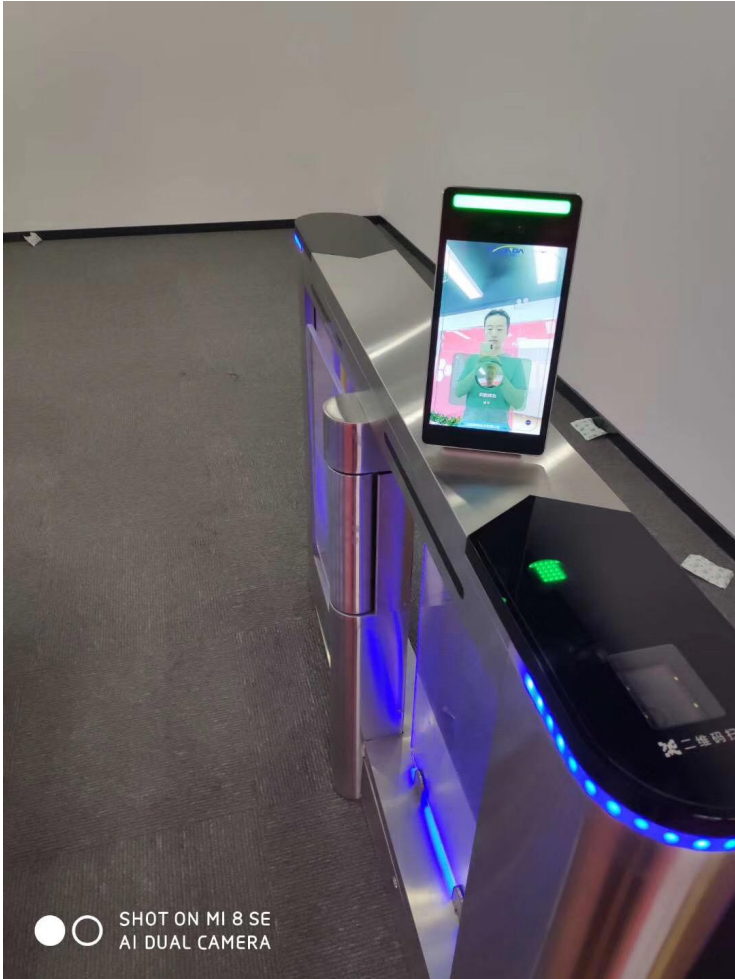
Applicable to office areas, hotels, access gates, office buildings, schools, shopping malls, shops, communities, public services and management projects, etc. where face access is required.

## Product Features

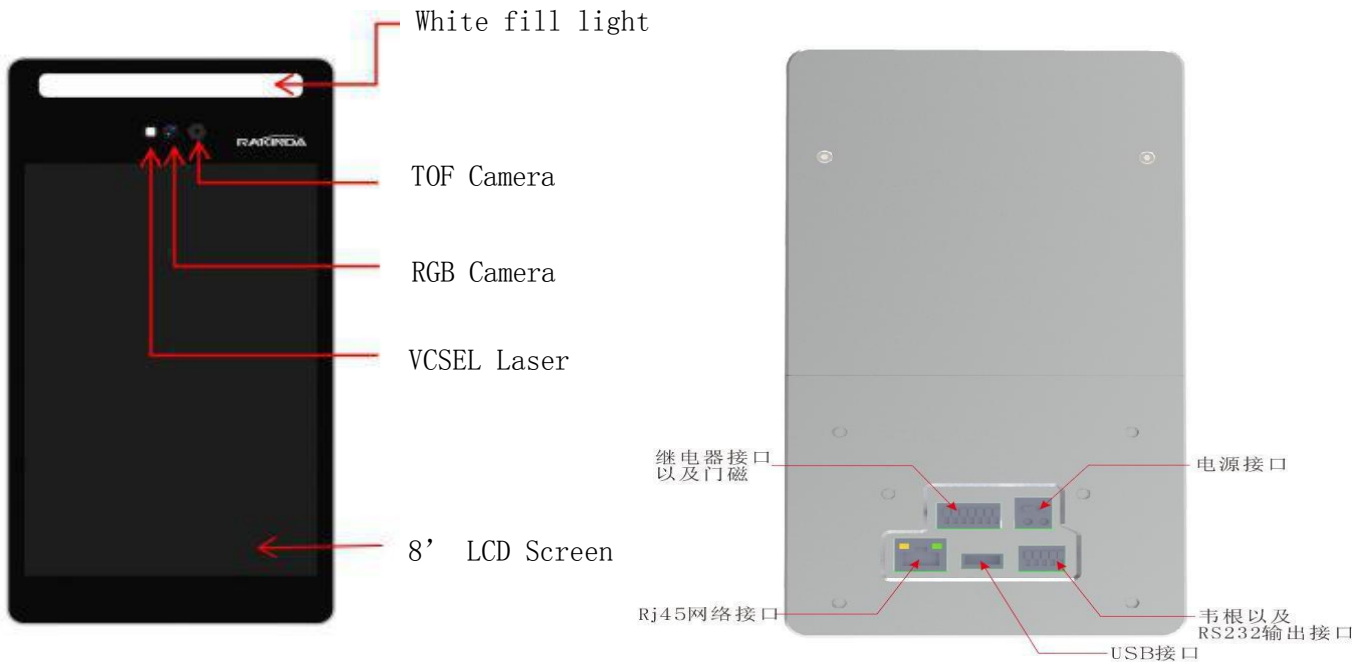
- Dynamic detection to solve the deception of various photos on various carriers
- Nighttime infrared, RGB fill light
- Support external QR code scanner and ID card reader
- Support RS232 serial port, Wiegand 26 output, output content support configuration
- Adopt dynamic video face detection and tracking recognition algorithm based on video stream
- Support the device to store 10,000 database locally
- Fast recognition
  - (a) Face tracking and detection takes about 20ms
  - (b) Face feature extraction takes about 200ms
  - (c) In vivo detection of face comparison time 0.6ms (1000 people library, multiple recognition average), 0.8ms (10000 people library, multiple recognition average)
- Support public network and LAN deployment mode
- Support HTTP interface interface docking
- Support screen display content configuration

Face Recognition Terminal Product Parameters			
Model Name	F3		
Screen	Size	8", full viewing angle, 170° IPS LCD	
	Resolution	800*1280	
Camera	Type	RGB	TOF
	Resolution (horizontal × vertical)	Support 1080P/960P/720P/VGA	640×480 Pixel
	Field of view (horizontal × vertical)	74° × 56° @960P (Default) 63° × 37° @1080P 74° × 42° @720P 74° × 56° @VGA	80° × 60°
	Frame rate (FPS)	Maximum 30FPS @960P/720P/VGA Up to 15FPS @1080P	MAX 30FPS
	Detection distance (unit: meter)	0.35-1.2	
	light source	850nm VCSEL	
	Working temperature (degree Celsius ° C)	0°C-50°C	
	Core parameter	CPU	6 cores, clocked at 2.0GHz
RAM		2G	
ROM		16G	
OS		Android 7.1.2	
Parts	Fill light	Infrared, LED fill light	
	Network module	Support wired, wireless (2.4GWi-Fi), wireless (USB external)	
	Bluetooth Module	4.0	
	4G communication module	Optional (built-in or external)	
	ID card reader	Optional (built-in or external)	
	GPS	Optional (built-in or external)	
Port	USB	USB2.0 1	
	RD232	RS232 serial port, 2.5mm terminal block 2P	
	Relay output	2.5mm terminal block 3P	
	Wiegand interface	2.5mm terminal block 3P, support Wiegand 26	
	Wired network interface	RJ45 Gigabit network	
IP Protection	IP Protection	IP54	
	Power	DC12V (±10%) /3A	
	Operating temperature	-20°C~70°C	

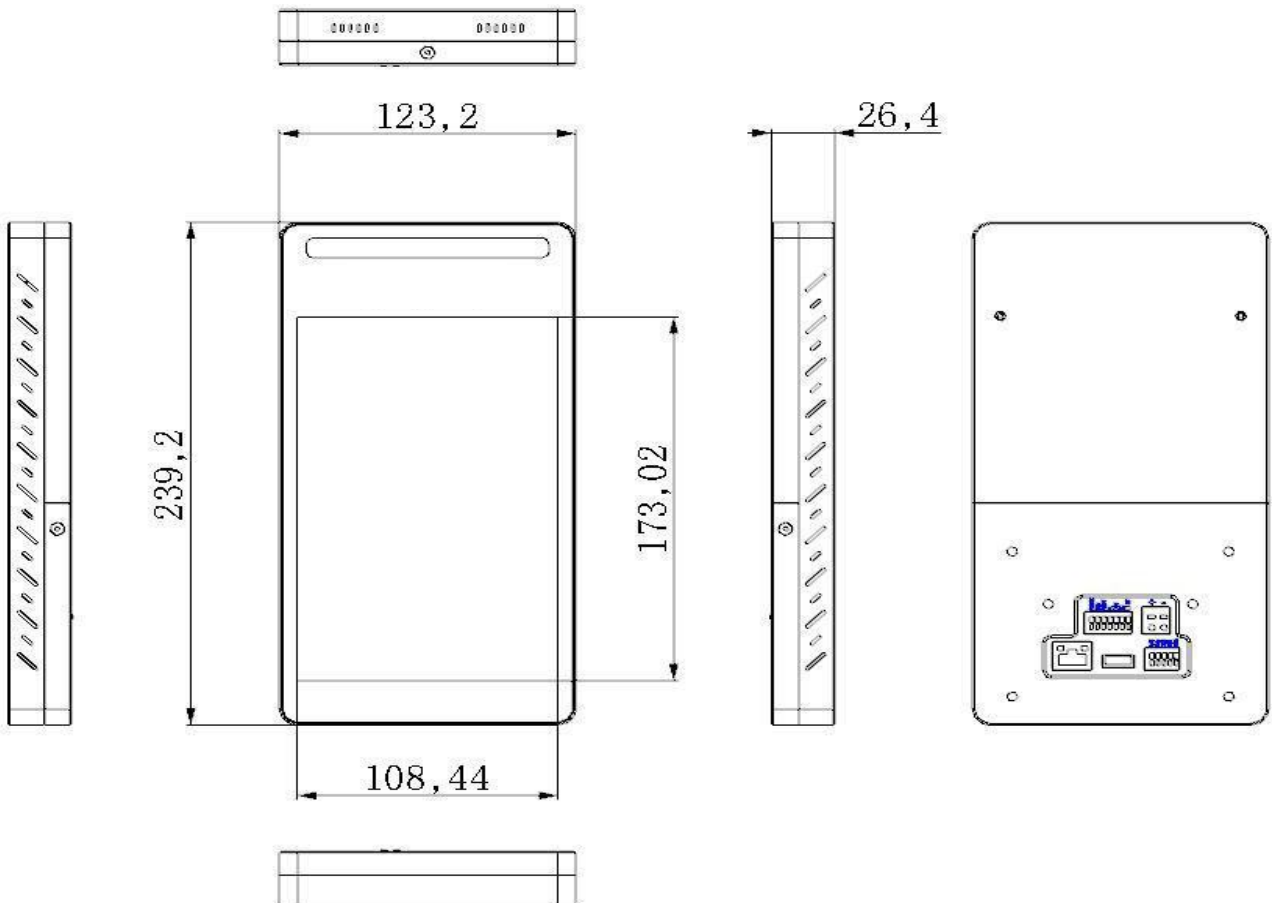
General parameters	Working humidity	10%~90 %
	Power consumption	22W MAX
	Installation method	Wall bracket installation, gate bracket installation
	Equipment size	239.2mm*123.2mm*26.4mm
	Weight	≈1050g



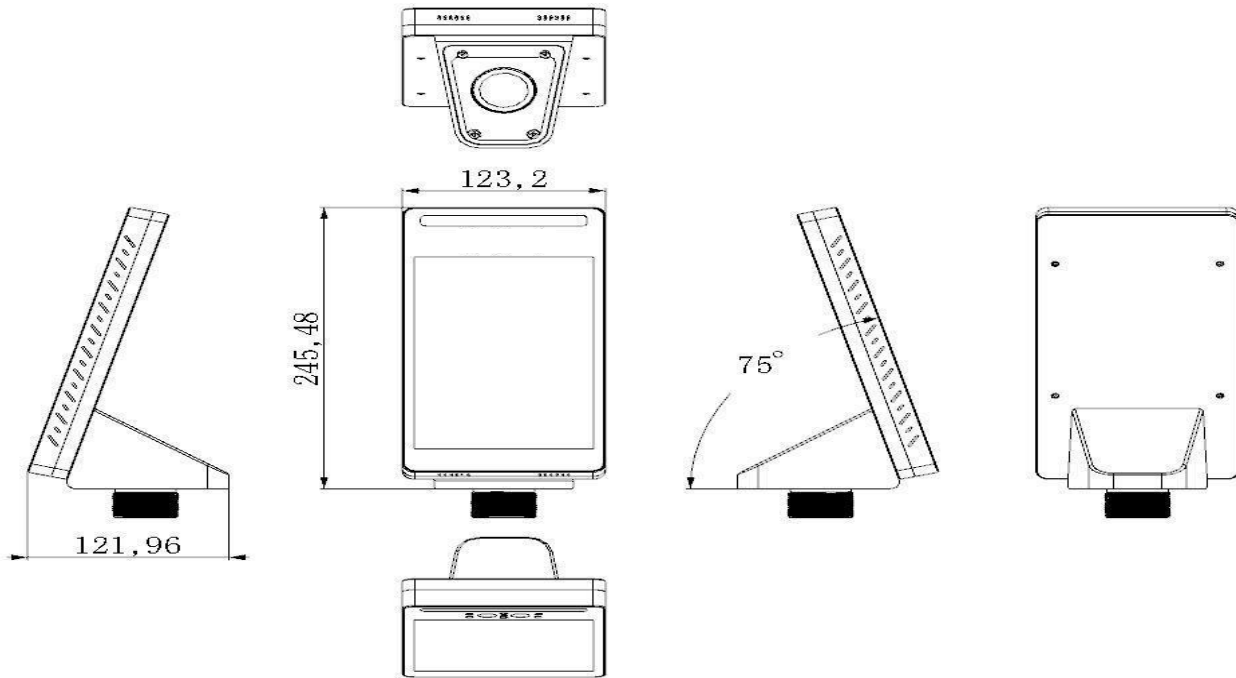
Outline Picture



Size



Fixing method and opening size



The opening has a circular diameter of 42 and is screwed to the screw base.

